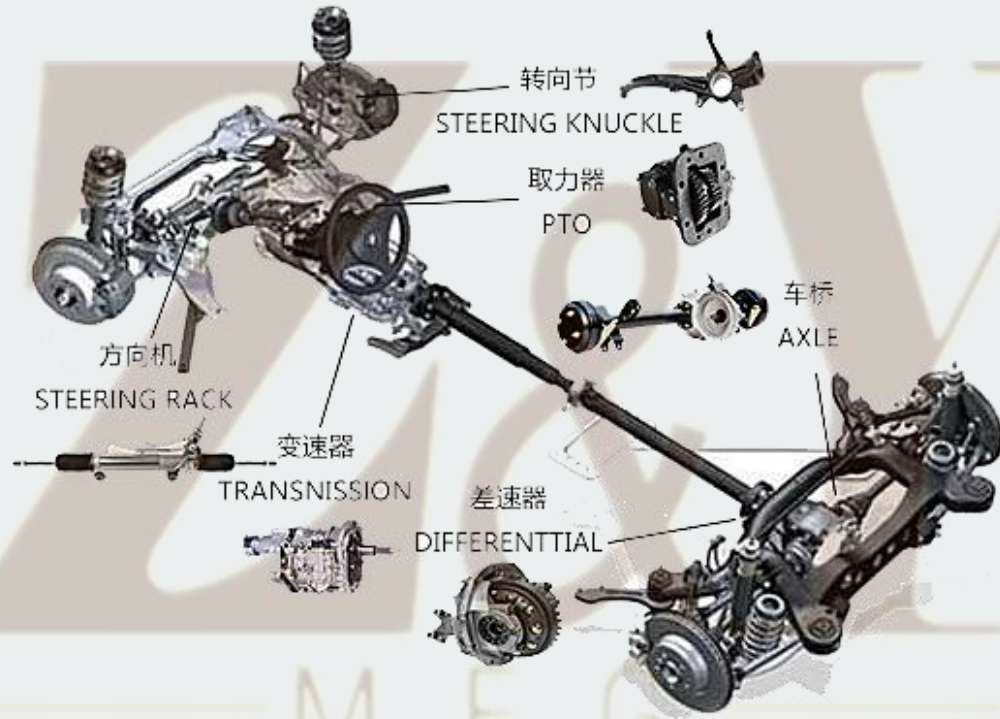


CHINA CHONGQING ZHENGYI MACHINERY MANUFACTURING Co. LTD



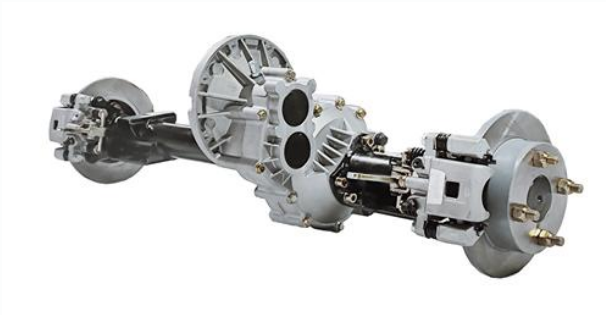
AXLE

About Us

China Chongqing Zhengyi Machinery Manufacturing Co., LTD., founded in 2006, has been focusing on the production of automotive transmission systems and chassis systems for nearly two decades. In low speed electric vehicle axle assembly, transmission assembly, differential assembly, Power Take Off assembly, steering rack assembly and steering knuckle assembly and their components, the company is mainly engaged in research and development, production and customization services.

After long-term development, the company has set up four overseas branches, and provides services to more than 30 countries in the world, such as Germany, the United Kingdom, Korea, Thailand, the United Arab Emirates, Canada, the United States. The company has the industry's top product laboratory, gathered more than 30 professional and technical personnel engaged in the research and development of new products, verification, and has perfect detection means and strict quality assurance system. The company's products have been widely used in various types of sightseeing cars, cars, pickups, light trucks, modified vehicles and agricultural equipment, with high quality and efficient flexible production mode to maximize the needs of customers.

|| Golf cart rear axle - 265 drum type/265 disc brakes



1. Suitable for 3-5kw power motor
2. Apply to golf

|| Golf cart rear axle - 263 single seater



1. Suitable for 1.5-3kw power motor
2. Used for single seat golf or sweeper with narrow wheel pitch
3. Mainly used as transportation tools for golf courses and communities

|| Electric vehicle rear axle - 261



1. Suitable for 1.5-3kw power motor
2. It is used for low-speed walking, shopping and food shopping for the elderly in cities

|| Electric vehicle rear axle - 262/2624



262

1. Suitable for 3-5kw power motor
2. Used for low speed electric logistics vehicle
3. Mainly used in the Middle East logistics express truck market



2624

1. Suitable for 5-7.5kw power motor
2. Used for A00 class electric vehicles

|| Electric vehicle rear axle - 2623



1. Suitable for 3-5kw power motor
2. Used for low speed electric logistics vehicle
3. It is mainly used for driverless logistics express vehicles of Meituan, Jingdong and Ali

|| Electric vehicle rear axle - 266A/266B



1. 266A suitable for 5-10kw power round flange motor
2. 266B suitable for 5-10kw power Farlan motor
3. Used for electric sightseeing vehicles, electric patrol vehicles, small logistics vehicles

|| Electric vehicle rear axle - 2671/267C



1. Suitable for 7.5-15kw power motor
2. 2671 Used for low-speed electric sightseeing vehicles and electric sanitation vehicles
3. 267C is used for high-speed electric logistics vehicles

|| Electric vehicle rear axle - 2674



1. Suitable for 15-23kw power motor
2. Used for electric logistics vehicles, electric sightseeing vehicles and electric sanitation vehicles

|| Electric vehicle rear axle - 268 Automatic two gear



1. Suitable for 10-23kw power motor
2. Used in Daocheng Yading, Yala Snow Mountain, Sanya, Wudang Mountain and other scenic spots
3. Automatic cruise, steep downhill, comfort mode, snow mode and other functions can be realized

Thank you for watching